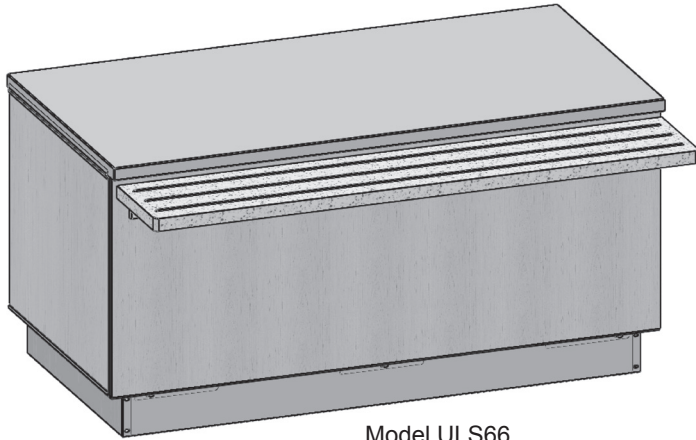


MODULAR UTILITY / BEVERAGE COUNTERS



Model ULS66
(Shown with optional Corian tray slide
and toe plates.)



- ▶ Durable, welded stainless steel tubular frame
- ▶ Patented TIGHT LINK™ interlocking mechanism eliminates vertical and horizontal gaps between counters
- ▶ Heavy duty 14-gauge stainless steel countertop
- ▶ Millwork panels match or complement any décor
- ▶ Optional FS style food shield mounts into counter's vertical framework for strength and durability
- ▶ 6" high stainless steel adjustable legs

Item # _____ Quantity _____

Project _____

MODELS

- ULS30
- ULS36
- ULS42
- ULS48
- ULS54
- ULS60
- ULS66
- ULS72
- ULS78
- ULS84
- ULS90
- ULS96

OPTIONS & ACCESSORIES

Counter Type

- Operator Service
- Self-service (wall)
- Double-sided island (35" wide)

Counter Top

- Stainless steel (std.)
- Corian® solid surface
- Quartz
- Backsplash/end splash where abutting walls

Tray Slide(s) (optional)

- V-ridge stainless steel
- Flat stainless steel
- Quartz
- Corian® solid surface
- Counter top extension-flat
- Counter top extension with stainless steel runners

Operator Work Ledge On Fold-Down Brackets

- White poly 8" wide carving board
- Stainless steel 8" wide work ledge
- Butcher block carving board

Counter Heights

- 34" high (standard)
- Available between 30" to 36"
Specify _____

Front & End Panels

- Plastic laminate (std.)
- Stainless steel
- Graphic panel

Food Shields, Display Stands, Overshelf

- FS food shield, convertible with glass shelf
- FS-DS double-sided self-serve with glass shelf
- FS-SS self service with glass shelf
- FS-TTD display shelf, two-tier with glass shelves
- Overshelf, stainless steel
- LED light*
- Heat lamp strip with lights*
- Food shield furnished by others, installed into counter by Multiteria

Electrical Options

- Duplex outlet, in cabinet base

Casters & Toe Plate(s)

- Stainless steel adjustable legs (std.)
- Stainless steel seismic legs with flanged feet
- 6" casters with 5" wheels
- 6" adjustable-height casters with 3" wheels
- Stainless steel toe plate(s)
- Black powder coat finish toe plate(s)

Other Options/Accessories

- Stainless steel doors on operator side (service type counter)
- Stainless steel doors
- Doors to match front panel with satin chrome tab handle (island and self-service/wall type counters)
- Locks on doors
- Grommets hole(s), 2³/₄" diameter on counter-top for power cords/utility services Quantity _____
- Drip trough with drain Specify length requirements _____
- Under counter clearance for under-counter equipment
- Recessed top section for cooking station
- Adjustable-height stainless steel intermediate shelf

* Changes power requirements.

MULTITERIA • 4900 W. ELECTRIC AVENUE • WEST MILWAUKEE, WI 53219
OFFICE: 414.902.6400 • FAX: 414.902.6446 • INFO@MULTITERIAUSA.COM • WWW.MULTITERIAUSA.COM

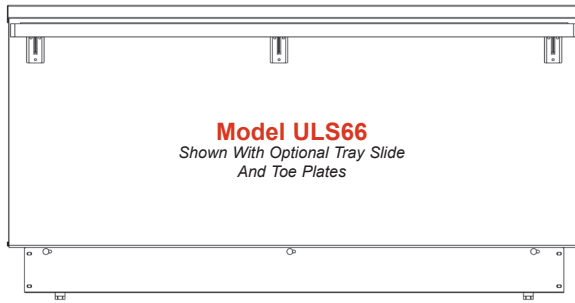
E-U

MODULAR UTILITY / BEVERAGE COUNTERS

Essence™ Series

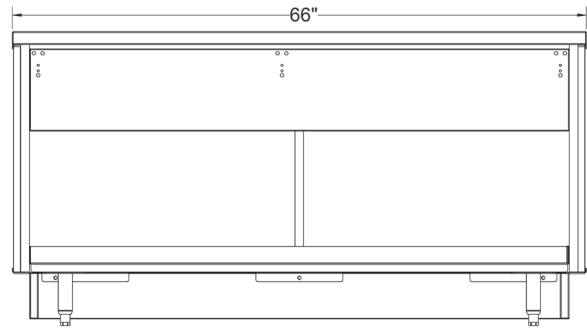
MODELS

ULS30 ULS36
 ULS42 ULS48
 ULS54 ULS60
 ULS66 ULS72
 ULS78 ULS84
 ULS90 ULS96

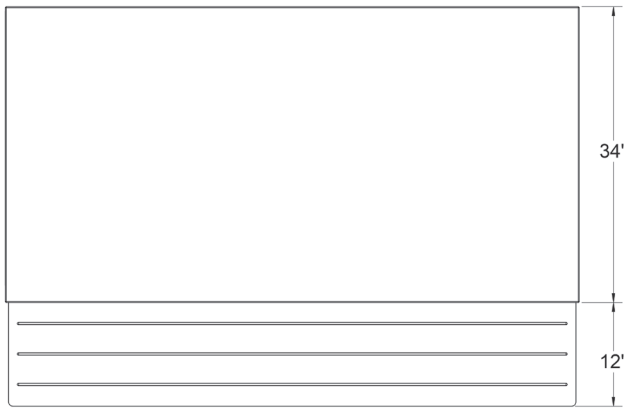


Model ULS66
 Shown With Optional Tray Slide
 And Toe Plates

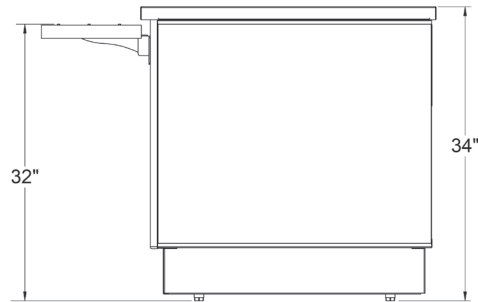
Front View ▲



Operator View ▲



Plan View ▲



End View ▲

SPECIFICATIONS

General:

Shall be Multiteria Model #ULS_____ to be constructed with heavy-duty welded stainless steel tubular frame. Countertop to be manufactured with 14-gauge stainless steel with 1½" top turndown all welds to be ground and polished to provide #4 finish. Counter to have easily removable ¾" laminated front and end panels. All millwork panels to have standard plastic laminate on front and white laminate interior.

Body Frame:

Shall be welded and polished, 1" stainless steel tubular framework. Body frame made to readily accept ¾" laminated panels to allow panel changing without the use of tools. Body frame made to accept TIGHT LINK™ (patented) fastening system. Base to be furnished with removable stainless steel undershelf. Undershelf depth to allow 4" clear open space for mechanical connections during installation. Unit shall rest on 6" high stainless steel legs with stainless steel adjustable feet.

TIGHT LINK™ system:

Furnish with patented slide-in panel(s) that link adjacent counters together their entire depth and height to eliminate top, front and rear horizontal and vertical gaps between equipment. Linking panels are open to allow mechanical connections to run through adjoining counters without having to cut access holes, reducing the number of building mechanicals required to connect equipment.

MODEL DETAILS

Model	Counter Length	Ship Wt. (Lbs.)	Model	Counter Length	Ship Wt. (Lbs.)
ULS30	30"	170	ULS66	66"	420
ULS36	36"	200	ULS72	72"	530
ULS42	42"	275	ULS78	78"	550
ULS48	48"	310	ULS84	84"	590
ULS54	54"	330	ULS90	90"	620
ULS60	60"	395	ULS96	96"	660

Front & End Millwork Panels:

Millwork panels to be constructed of ¾" wood substrate with standard plastic laminate on front and white laminate interior, color matching edge banding on top and sides, and black rubber T-molding on bottom edge. Panels are removable for service access. End panels are removable without use of tools.

Countertop:

Counter top is 14-gauge stainless steel with 1½" turned down edges and stainless steel support channels.

TIGHT LINK Panel



MULTITERIA • 4900 W. ELECTRIC AVENUE • WEST MILWAUKEE, WI 53219

OFFICE: 414.902.6400 • FAX: 414.902.6446 • INFO@MULTITERIAUSA.COM • WWW.MULTITERIAUSA.COM