

# FOOD SHIELDS

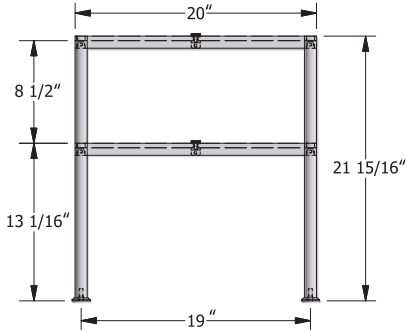
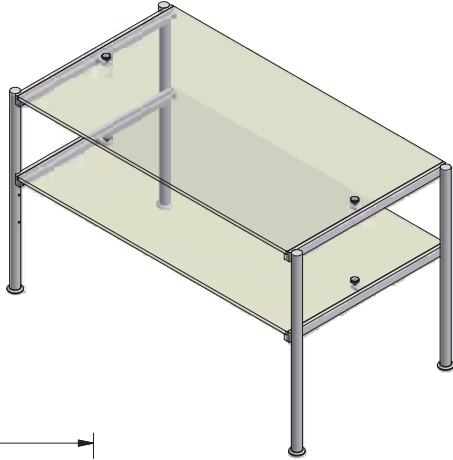


Item #: \_\_\_\_\_ Quantity: \_\_\_\_\_

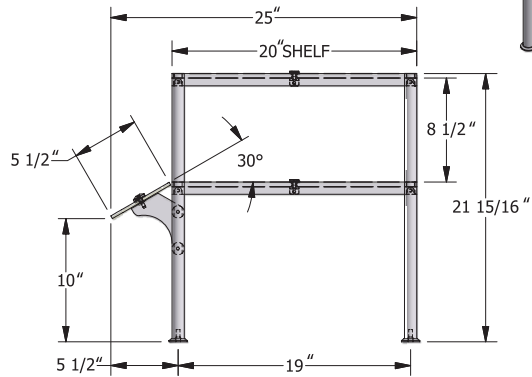
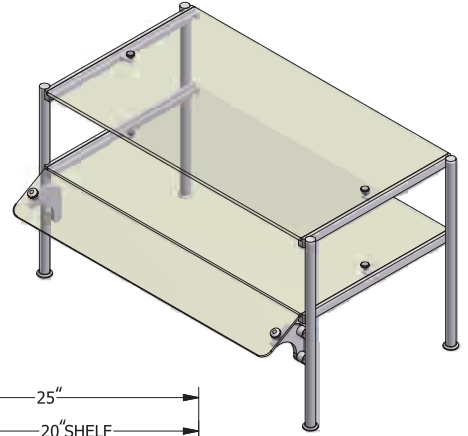
AIA: \_\_\_\_\_ Date: \_\_\_\_\_

Project: \_\_\_\_\_

**VERSA-GARD<sup>®</sup>**  
**M8**  
2-Tier Self-Service Display



**VERSA-GARD<sup>®</sup>**  
**M9**  
2-Tier Self-Service Display



## Specifications for M8, M9 and M9-D

- Clear Tempered Glass Panels w/ radius corners & polished edges
- 1"OD Supports & CNC machined hardware
- Powder Coated Aluminum, Satin Anodized Aluminum, or Brushed Stainless Steel Finishes
- Side Return Panels available
- NSF/ANSI 2 Listed



Due to continuing product improvement, units and specifications are subject to change without notice. (02/2010)

**VERSA-GARD<sup>®</sup>**  
**M9-D**  
2-Tier Double-Sided Self-Service Display

